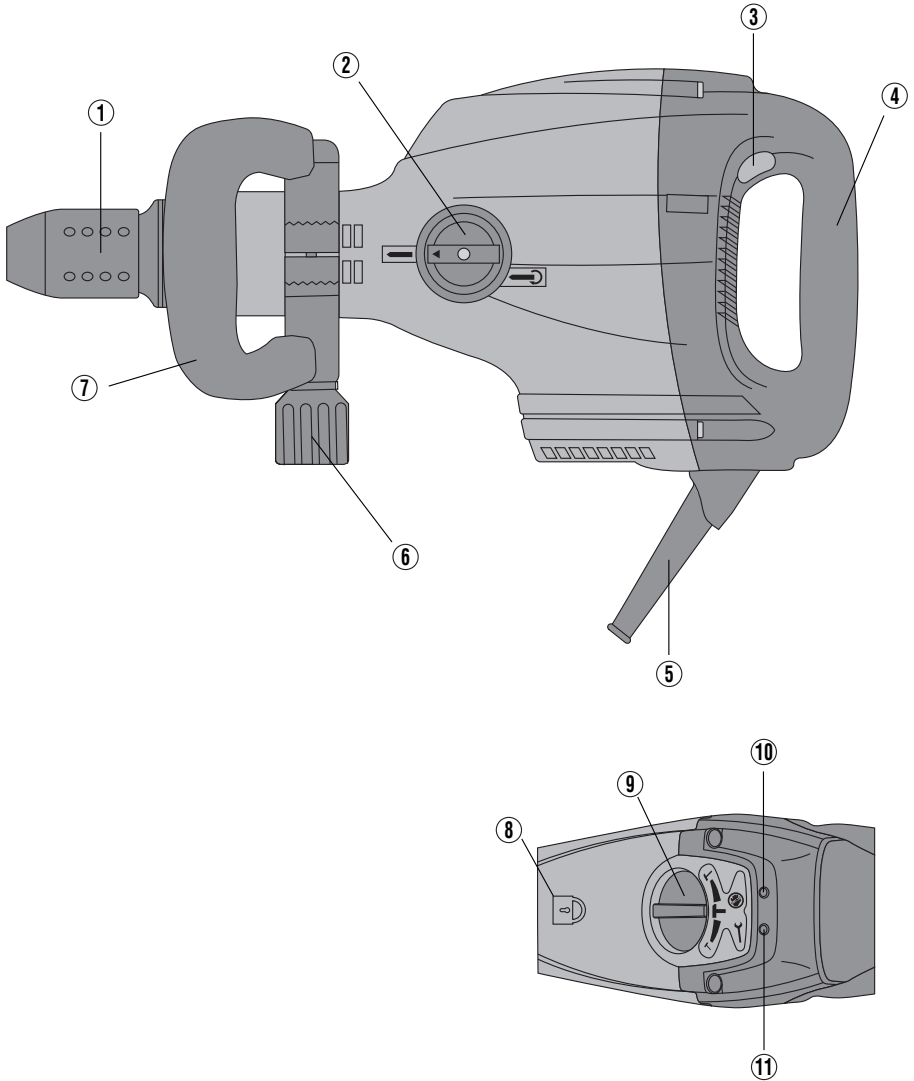


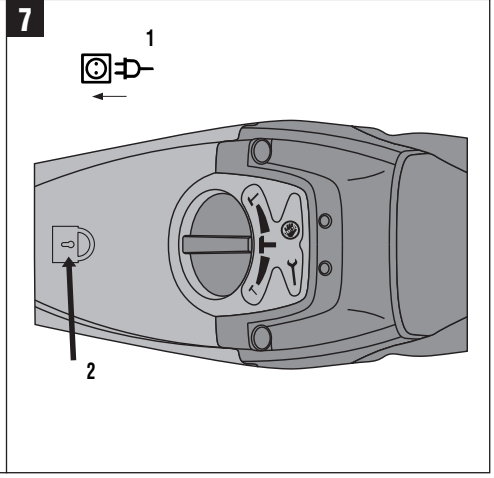
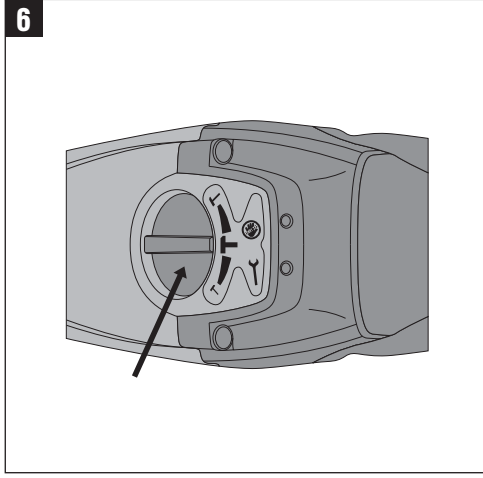
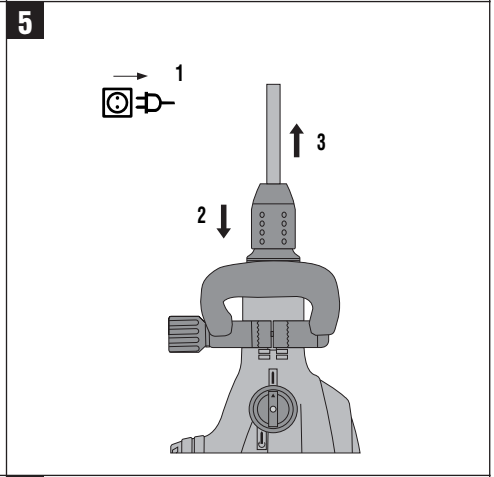
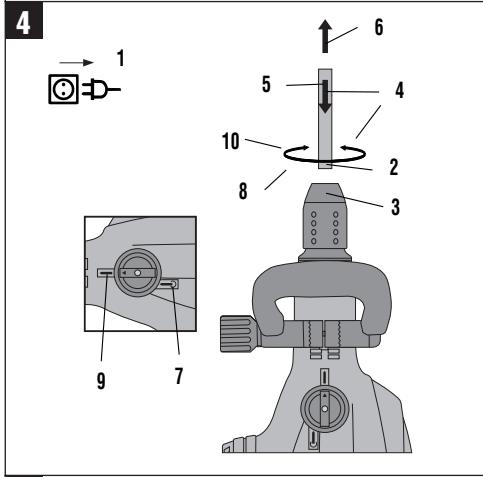
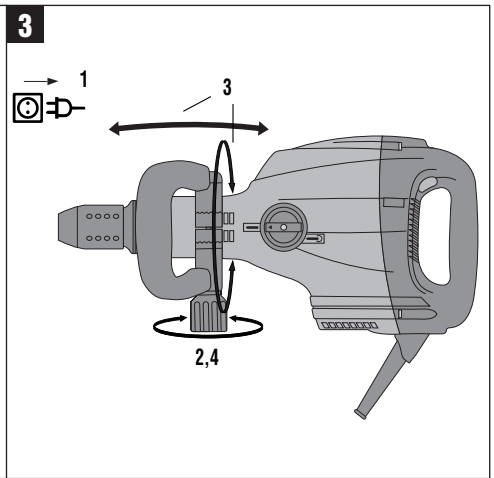
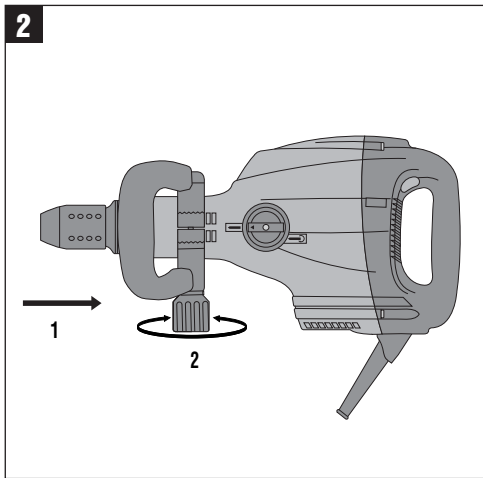
HILTI

TE 706 / TE 706-AVR

Bedienungsanleitung	de
Operating instructions	en
Mode d'emploi	fr
Ръководство за обслужване	bg
Upute za uporabu	hr
Instrukcja obsługi	pl
Инструкция по експлуатации	ru
Návod na obsluhu	sk
Navodila za uporabo	sl
Návod k obsluze	cs
Használati utasítás	hu
Instrucțiuni de utilizare	ro
操作說明書	zh
取扱説明書	ja
사용설명서	ko
操作说明书	cn
ІНСТРУКЦІЯ З ЕКСПЛУАТАЦІЇ	uk
دليل الاستعمال	ar







ORIGINAL OPERATING INSTRUCTIONS

TE 706/TE 706-AVR breaker

It is essential that the operating instructions are read before the tool is operated for the first time.

Always keep these operating instructions together with the tool.

Ensure that the operating instructions are with the tool when it is given to other persons.

Operating controls and parts 1

- ① Chuck
- ② Chisel adjustment and locking switch
- ③ On/off switch
- ④ Grip
- ⑤ Supply cord
- ⑥ Screw knob
- ⑦ Side handle
- ⑧ Lock symbol
- ⑨ Power level selection switch
- ⑩ Theft protection indicator (option)
- ⑪ Service indicator

Contents	Page
1. General information	11
2. Description	12
3. Tools and accessories	12
4. Technical data	13
5. Safety rules	14
6. Before use	16
7. Operation	16
8. Care and maintenance	17
9. Troubleshooting	18
10. Disposal	19
11. Manufacturer's warranty – tools	19
12. EC declaration of conformity (original)	20

1. General information

1.1 Safety notices and their meaning

-CAUTION-

Draws attention to a potentially dangerous situation that could lead to minor personal injury or damage to the equipment or other property.

-NOTE-

Draws attention to instructions and other useful information.

1.2 Pictograms

Warning signs



General warning



Warning: electricity



Warning: hot surface

Symbols



Read the operating instructions before use.



Equipped with theft protection system



Lock-symbol



Return waste material for recycling

1 These numbers refer to the corresponding illustrations. The illustrations can be found on the fold-out cover pages. Keep these pages open while studying the operating instructions.

In these operating instructions, the TE 706 and / or TE 706-AVR breaker is referred to as "the power tool".

Location of identification data on the power tool.

The type designation can be found on the rating plate and the serial number on the side of the motor housing. Make a note of this data in your operating instructions and always refer to it when making an enquiry to your Hilti representative or service department.

Type: _____

Serial No.: _____

2. Description

2.1 Use of the power tool as intended

The power tool is designed for medium-duty chiseling work. It is suitable for breaking/removing and demolishing concrete, masonry, stone or asphalt. It is intended for use on construction sites of all kinds.

The power tool may be operated only when connected to a power supply providing a voltage and frequency in compliance with the information given on its rating plate. Changes or modifications to the power tool are not permissible.

2.2 Important features of the power tool

2.2.1 Active vibration reduction

- The TE 706-AVR is equipped with an active vibration reduction system which cuts vibration to 40 % of that of the TE 706 (without Active Vibration Reduction).

2.2.2 Theft protection system (option)

- The power tool may be equipped with the optional theft protection system. If the power tool is equipped with this feature, it can be activated and made ready for operation only by way of the corresponding activation key.

2.2.3 Chuck

- TE-Y (SDSmax) quick-change chuck

2.2.4 Switch

- On/off switch
- 3-position power level selection switch (100 %, 75 %, 50 %)
- Chisel adjustment and locking switch (for 24 click-stop positions per revolution)

2.2.5 Grip (with soft synthetic rubber padding)

- Two-way adjustable (pivoting) and vibration-absorbing side handle
- Vibration absorbing grip

2.2.6 Safety features

- Electronic interlock to prevent unintentional restarting after interruption of the power supply (see section 9.).
- Casing and grip isolated from interior parts of the tool to reduce transmission of heat and vibration.
- Automatic electronic overheating and overvoltage cut-out (see section 9.).

2.2.7 Lubrication

- Permanent lubrication with separate lubrication chambers for the gearing section and hammering mechanism.

2.2.8 Indicator lamps

- Service indicator lamp (red, see section 8.3).
- Theft protection system indicator (available as an option) (yellow, see section 7.2.1).

2.2.9 Items supplied as standard

- Power tool
- Side handle
- Grease dispenser, 50 ml
- Cleaning cloth
- Operating instructions
- Toolbox with overview of insert tools.

3. Tools and accessories

TE 706/TE 706-AVR	Width (mm)	Length (mm)	Width (in)	Length (in)
TE-Y chuck (SDSmax)				
Pointed chisel	--	280–700	--	11"–27"
Flat chisel	26	280–700	3/4"	11"–27"
Wide-flat chisel	50–120	280–500	2"–4 1/2"	11"–19"
Hollow chisel	28	280	1"	11"
Channel chisel	22–36	280	7/8"–1 1/2"	11"
Mortar chisel	38	280	15/16"	11"
Flexible chisel	150	650	5 7/8"	25 1/2"
Bushing tool	40 x 40	250	5 7/8"	10"
Tamping tool	150 x 150	300	--	--
Earth rod rammer	∅ 15–25	300	--	--
TPS Theft Protection System with Company Card, Company Remote and TPS-K activation key	option			

Use the Hilti tools listed above. With these tools you will achieve a higher breaking and material removal performance and longer service life as the power tool and the insert tool have been optimized as a system.

4. Technical data

Power tool	TE 706 / TE 706-AVR						
Rated power input	1200 W	1200 W	1180 W	1180 W	1200 W	1200 W	1200 W
Rated voltage	100 V	110 V	120 V	127 V	220 V	230 V	240 V
Rated current	12.3 A	11.1 A	9.9 A	9.3 A	9.0 A	8.7 A	8.6 A
Mains frequency	50–60 Hz						
Weight as per EPTA-Procedure 01/2003	7.9 kg						
Dimensions (L × W × H)	560 × 125 × 250 mm						
Chuck	TE-Y (SDSmax)						
Hammering speed under load	2760 blows/min						
Single impact energy	6–10 joules						
Chiseling performance in medium-hard concrete	750 cm ³ /min						
Double insulated (in accordance with EN 60745)	Protection class II						

-NOTE-

The vibration emission level given in this information sheet has been measured in accordance with a standardised test given in EN 60745 and may be used to compare one tool with another. It may be used for a preliminary assessment of exposure. The declared vibration emission level represents the main applications of the tool. However if the tool is used for different applications, with different accessories or poorly maintained, the vibration emission may differ. This may significantly increase the exposure level over the total working period. An estimation of the level of exposure to vibration should also take into account the times when the tool is switched off or when it is running but not actually doing the job. This may significantly reduce the exposure level over the total working period. Identify additional safety measures to protect the operator from the effects of vibration such as: maintain the tool and the accessories, keep the hands warm, organisation of work patterns.

Noise and vibration information (measured in accordance with EN 60745):

Typical A-weighted sound power level:	TE 706	101 dB (A)
	TE 706-AVR	98 dB (A)
Typical A-weighted sound pressure level:	TE 706	90 dB (A)
	TE 706-AVR	87 dB (A)

For the given sound power level as per EN 60745, the tolerance is 3 dB.

Wear ear protection!

Triaxial vibration value (vibration vector sum) measured in accordance with EN 60745-2-6		
Chiselling, (a _h , C _{req}):	TE 706	9.0 m/s ²
	TE 706-AVR	5.5 m/s ²
Uncertainty (K) for triaxial vibration value	1.5 m/s ²	


Right of technical changes reserved.

5. Safety rules

NOTE

The safety rules in section 5.1 contain all general safety rules for power tools which, in accordance with the applicable standards, require to be listed in the operating instructions. Accordingly, some of the rules listed may not be relevant to this tool.

5.1 General Power Tool Safety Warnings

- a)  **WARNING! Read all safety warnings and all instructions.** Failure to follow the warnings and instructions may result in electric shock, fire and/or serious injury. **Save all warnings and instructions for future reference.** The term "power tool" in the warnings refers to your mains-operated (corded) power tool or battery-operated (cordless) power tool.

5.1.1 Work area safety

- a) **Keep work area clean and well lit.** Cluttered or dark areas invite accidents.
- b) **Do not operate power tools in explosive atmospheres, such as in the presence of flammable liquids, gases or dust.** Power tools create sparks which may ignite the dust or fumes.
- c) **Keep children and bystanders away while operating a power tool.** Distractions can cause you to lose control.

5.1.2 Electrical safety

- a) **Power tool plugs must match the outlet. Never modify the plug in any way. Do not use any adapter plugs with earthed (grounded) power tools.** Unmodified plugs and matching outlets will reduce risk of electric shock.
- b) **Avoid body contact with earthed or grounded surfaces, such as pipes, radiators, ranges and refrigerators.** There is an increased risk of electric shock if your body is earthed or grounded.
- c) **Do not expose power tools to rain or wet conditions.** Water entering a power tool will increase the risk of electric shock.
- d) **Do not abuse the cord. Never use the cord for carrying, pulling or unplugging the power tool. Keep cord away from heat, oil, sharp edges or moving parts.** Damaged or entangled cords increase the risk of electric shock.
- e) **When operating a power tool outdoors, use an extension cord suitable for outdoor use.** Use of a cord suitable for outdoor use reduces the risk of electric shock.
- f) **If operating a power tool in a damp location is unavoidable, use a residual current device (RCD) protected supply.** Use of an RCD reduces the risk of electric shock.

5.1.3 Personal safety

- a) **Stay alert, watch what you are doing and use common sense when operating a power tool. Do not use a power tool while you are tired or under the influence of drugs, alcohol or medication.** A moment of inattention while operating power tools may result in serious personal injury.
- b) **Use personal protective equipment. Always wear eye protection.** Protective equipment such as dust mask, non-skid safety shoes, hard hat, or hearing protection used for appropriate conditions will reduce personal injuries.

- c) **Prevent unintentional starting. Ensure the switch is in the off-position before connecting to power source and/or battery pack, picking up or carrying the tool.** Carrying power tools with your finger on the switch or energising power tools that have the switch on invites accidents.
- d) **Remove any adjusting key or wrench before turning the power tool on.** A wrench or a key left attached to a rotating part of the power tool may result in personal injury.
- e) **Do not overreach. Keep proper footing and balance at all times.** This enables better control of the power tool in unexpected situations.
- f) **Dress properly. Do not wear loose clothing or jewellery. Keep your hair, clothing and gloves away from moving parts.** Loose clothes, jewellery or long hair can be caught in moving parts.
- g) **If devices are provided for the connection of dust extraction and collection facilities, ensure these are connected and properly used.** Use of dust collection can reduce dust-related hazards.

5.1.4 Power tool use and care

- a) **Do not force the power tool. Use the correct power tool for your application.** The correct power tool will do the job better and safer at the rate for which it was designed.
- b) **Do not use the power tool if the switch does not turn it on and off.** Any power tool that cannot be controlled with the switch is dangerous and must be repaired.
- c) **Disconnect the plug from the power source and/or the battery pack from the power tool before making any adjustments, changing accessories, or storing power tools.** Such preventive safety measures reduce the risk of starting the power tool accidentally.
- d) **Store idle power tools out of the reach of children and do not allow persons unfamiliar with the power tool or these instructions to operate the power tool.** Power tools are dangerous in the hands of untrained users.
- e) **Maintain power tools. Check for misalignment or binding of moving parts, breakage of parts and any other condition that may affect the power tool's operation. If damaged, have the power tool repaired before use.** Many accidents are caused by poorly maintained power tools.
- f) **Keep cutting tools sharp and clean.** Properly maintained cutting tools with sharp cutting edges are less likely to bind and are easier to control.
- g) **Use the power tool, accessories and tool bits etc. in accordance with these instructions, taking into account the working conditions and the work to be performed.** Use of the power tool for operations different from those intended could result in a hazardous situation.

5.1.5 Service

- a) **Have your power tool serviced by a qualified repair person using only identical replacement parts.** This will ensure that the safety of the power tool is maintained.

5.2 Safety precautions for chisels

- a) **Wear ear protection.** *Excessive noise may lead to a loss of hearing.*
- b) **Use the auxiliary handle supplied with the tool.** *Loss of control of the tool may lead to injury.*
- c) **Hold power tool by insulated gripping surfaces, when performing an operation where the cutting accessory may contact hidden wiring or its own cord.** *Cutting accessory contacting a "live" wire may make exposed metal parts of the power tool "live" and could give the operator an electric shock.*

5.3 Additional safety precautions

5.3.1 Personal safety

- a) **Breathing protection must be worn when the tool is used without a dust removal system.**
- b) **Exercise your fingers during pauses between work to improve the blood circulation in your fingers.**
- c) **To avoid tripping and falling when working, always lead the supply cord, extension cord and dust extraction hose away from the rear.**
- d) **The tool is not intended for use by children, by debilitated persons or those who have received no instruction or training.**
- e) **Children must be instructed not to play with the tool.**
- f) **Dust from material such as paint containing lead, some wood species, minerals and metal may be harmful. Contact with or inhalation of the dust may cause allergic reactions and/or respiratory diseases to the operator or bystanders. Certain kinds of dust are classified as carcinogenic such as oak and beech dust especially in conjunction with additives for wood conditioning (chromate, wood preservative). Material containing asbestos must only be treated by specialists. Where the use of a dust extraction device is possible it shall be used. To achieve a high level of dust collection, use a suitable vacuum cleaner of the type recommended by Hilti for wood dust and/or mineral dust together with this tool. Ensure that the workplace is well ventilated. The use of a dust mask of filter class P2 is recommended. Follow national requirements for the materials you want to work with.**

5.3.2 Electrical safety

- a) **Before beginning work, check the working area (e.g. with a metal detector) to ensure that no concealed electric cables or gas and water pipes are present.** *External metal parts of the tool may become live if, for example, an electric cable is damaged inadvertently. This presents a serious risk of electric shock.*
- b) **Check the condition of the supply cord and its plug connections and have it replaced by a qualified electrician if damage is found. Check the condition of the extension cord and replace it if damage is found. Do not touch the supply in the event of it suffering damage while working. Disconnect the supply cord plug from the socket. Damaged supply cords and extension cords present a risk of electric shock.**

- c) **Dirty or dusty electric tools should thus be checked at a Hilti service center at regular intervals, especially if used frequently for working on conductive materials.** *Dust (especially dust from conductive materials) or dampness adhering to the surface of the tool may, under unfavorable conditions, present a risk of electric shock.*

5.3.3 Power tool use and care

- a) **Ensure that the insert tools used are equipped with the appropriate connection end system and that they are properly fitted and secured in the chuck.**
- b) **In the event of a power failure, switch the tool off and unplug the supply cord.** *This prevents inadvertent starting when the power returns.*
- c) **Hold tool by insulated gripping surfaces when performing an operation where the cutting tool may contact hidden wiring or its own cord.** *Contact with a "live" wire will make exposed metal parts of the tool "live" and shock the operator.*

5.3.4 Work area

- a) **Ensure that the workplace is well lit.**
- b) **Ensure that the workplace is well ventilated.** *Poorly ventilated workplaces may be injurious to the health due to exposure to dust.*

5.3.5 Personal protective equipment

The user and any other persons in the vicinity must wear suitable eye protection, a hard hat, ear protection and protective gloves when the tool is in use. Breathing protection must be worn if no dust removal system is used.



Wear eye protection



Wear a hard hat



Wear ear protection



Wear protective gloves



Wear breathing protection

6. Before use



Ensure that the tool is not yet connected to the electric supply.

6.1 Fitting the side handle 2

1. Position the side handle on the tool.
2. Secure the side handle by tightening the screw knob.

6.2 Use of extension cords

Use only extension cords of a type approved for the application and with conductors of adequate cross section.

Recommended minimum conductor cross section and max. cable lengths:

Mains voltage	Conductor cross section				AWG	
	1.5 mm ²	2.0 mm ²	2.5 mm ²	3.5 mm ²	14	12
100 V	–	20 m	–	30 m	–	–
110–127 V	20 m	25 m	30 m	–	75 ft	125 ft
220–240 V	50 m	–	100 m	–	–	–

Do not use extension cords with 1.25 mm² or 16 AWG conductor cross sections.

6.3 Use of a generator or transformer

This tool may be powered by a generator or transformer which fulfils the following conditions:

- AC voltage output, power output at least 2600 W.
- The operating voltage must be within +5 % and – 15 % of the rated voltage at all times.
- Frequency range 50–60 Hz, never above 65 Hz.
- Automatic voltage regulation with starting boost.

Never operate other tools or appliances from the generator or transformer at the same time. Switching other tools or appliances on and off can cause undervoltage and/or overvoltage peaks which may cause damage to the power tool.

7. Operation

7.1 Preparation for operation

7.1.1 Adjusting the position of the side handle 3

1. Unplug the supply cord from the power source.
2. Release the screw knob on the side handle.
3. Bring the side handle into the desired position.
4. Secure the side handle in the desired position by tightening the screw knob.

7.1.2 Fitting the insert tool 4

1. Unplug the supply cord from the power source.
2. Check that the connection end of the insert tool is clean and lightly greased. Clean it and grease it if necessary.
3. Check that the sealing lip of the dust shield is clean and in good condition. Clean the dust shield if necessary or replace it if the sealing lip is damaged. (See section 8.)
4. Push the insert tool into the chuck and rotate it while applying slight pressure until it engages in the guide grooves.
5. Push the insert tool further into the chuck until it is heard to engage.
6. Check that the insert tool has engaged correctly by pulling on it.

7.1.2.1 Positioning the insert tool 4

7. Turn the chisel adjustment and locking switch to the "Rotate chisel" position.
8. Rotate the chisel to the desired position.

7.1.2.2 Locking the insert tool 4

9. Turn the chisel adjustment and locking switch to the "Lock chisel" position.
10. Rotate the chisel until it engages (24 click-stop positions per revolution).

7.1.3 Removing the insert tool 5



-CAUTION-

- The insert tool may become hot during use. There is a risk of burning the hands. Wear protective gloves when changing insert tools.
1. Unplug the supply cord from the power source.
 2. Open the chuck by pulling back the chuck release sleeve.
 3. Pull the insert tool out of the chuck.

7.1.4 Setting the chiseling power level 6

Chiseling power can be set to one of three positions (50 %, 100 % and 75 %) by turning the power level selector switch.

7.2 Operation

7.2.1 Activating the power tool (theft protection system)

(Optional – not available with all versions.)



Further detailed information about activation and use of this optional feature can be found in the separate operating instructions for the theft protection system.

1. Plug the supply cord into the power outlet. The yellow theft protection indicator lamp blinks. The power tool is now ready to receive the signal from the activation key.
2. Hold the activation key close to the lock symbol. The power tool is activated as soon as the theft protection indicator lamp no longer lights.

-NOTE-

In the event of interruption of the electric supply to the power tool, e.g. brief disconnection to move to a different workplace, the power tool remains operational for approx. 20 minutes. After a longer interruption, the power tool must be reactivated by way of the activation key.

7.2.2 Chiseling

- The power tool and the chiseling operation emit noise. Excessive noise may damage the hearing. Wear ear protection.
- Chiseling may cause splintering of the material. Splinters may cause injury to parts of the body and eyes. Wear eye protection, protective gloves and breathing protection if no dust removal system is used.

-NOTE-

Working at low temperatures:

The hammering mechanism works only when the tool has reached a minimum operating temperature.

Bring the drill bit into contact with the base material and allow the tool to run under no load until the minimum operating temperature is reached. If necessary, repeat this procedure until the hammering mechanism begins to operate.

7.2.2.1 Switching on

1. Plug the supply cord into the power outlet.
2. Press the on/off switch.

7.2.2.2 Switching off

1. Press the on/off switch.

8. Care and maintenance

Unplug the supply cord from the power source.

8.1 Care of insert tools

Clean off dirt and dust deposits adhering to the insert tools and protect them from corrosion by wiping the insert tools from time to time with an oil-soaked rag.

Hilti polygon chisels require no resharpener.

8.2 Care of the power tool

-CAUTION-

Keep the power tool, especially its grip surfaces, clean and free from oil and grease. Do not use cleaning agents which contain silicone.

The outer casing of the tool is made from impactresistant plastic. Sections of the grip are made from a synthetic rubber material. Never operate the tool when the ventilation slots are blocked. Clean the ventilation slots carefully using a dry brush. Do not permit foreign objects to enter the interior of the tool. Clean the outside of the tool at regular intervals with a slightly damp cloth. Do not use a spray, steam pressure cleaning equipment or running water for cleaning. This may negatively affect the electrical safety of the tool.

8.3 Service indicator

The power tool is equipped with a service indicator.

8.3.1 The indicator lamp lights red

The power tool has been in use for a predetermined time and now requires servicing.

After the lamp lights for the first time, the power tool may continue to be used for approx. 10 days before the automatic cut-out is activated. Bring the power tool to a Hilti service center in good time so that the tool is always ready for use when required.

8.3.2 The indicator lamp blinks red

A fault has occurred.

The power tool has been rendered inoperable. Return the power tool to a Hilti service center for repair.

8.3.3 Protective cut-out

The power tool is equipped with an overheating prevention cut-out. This cut-out may be activated without any warning. The cut-out may also be activated (or the power tool may refuse to start), without the indicator lighting, if a fault in the electric supply is detected (see section 9).

8.4 Maintenance

Check all external parts of the tool for damage at regular intervals and check that all controls operate faultlessly. Do not operate the tool if parts are damaged or when the controls do not function faultlessly. If necessary, your power tool should be repaired at a Hilti repair center.

Repairs to the electrical section of the tool may be carried out only by trained electrical specialists.

9. Troubleshooting

Fault	Possible cause	Remedy
The power tool doesn't start.	The electronics are being initialized (this takes up to approx. 4 seconds after the supply cord is plugged in) or the electronic cut-out has been activated after an interruption in the electric supply.	Switch the tool off and on again.
	There is an interruption in the electric supply.	Check the electric supply, for example, by plugging in and starting another appliance.
	The supply cord or plug is defective.	Have the supply cord and plug checked by an electrical specialist and replaced if necessary.
	Generator with sleep mode.	Apply a load to the generator by connecting another appliance (e.g. a lamp) and then switch the power tool off and on again.
The power tool doesn't start and the indicator lamp blinks yellow.	The power tool has not been activated (tools with optional theft protection system).	Use the activation key to activate the power tool.
The power tool doesn't start and the indicator lamp blinks red.	A fault has occurred in the tool.	The power tool should be repaired at a Hilti service center.
The power tool doesn't start or cuts out during operation.	The overheating prevention cut-out has been activated.	Allow the tool to cool down. Clean the ventilation slots (see section 8.2).
	Unstable electric supply (under- or overvoltage cut-out activated).	Disconnect other appliances connected to the same power source or connect the power tool to a different power source.
	The extension cord is too long or has an inadequate cross section.	Use an extension cord of permissible length and of adequate cross section (see 6.2).
No hammering action.	The power tool is too cold.	Allow the tool to warm up to the minimum operating temperature (see 7.2.2).
	A fault has occurred in the tool.	The power tool should be repaired at a Hilti service center.
The tool does not achieve full power.	The power level selector switch is not in the full power position.	Bring the power level selector switch to the correct position.
	The extension cord is too long or has an inadequate cross section.	Use an extension cord of permissible length and of adequate cross section (see 6.2).
	The voltage provided by the electric supply is too low.	Connect the tool to a different power source.
If the fault cannot be remedied by the measures listed above, the power tool should be checked at a Hilti service center.		

en

10. Disposal



Most of the materials from which Hilti power tools are manufactured can be recycled. The materials must be correctly separated before they can be recycled. In many countries, Hilti has already made arrangements for taking back your old power tools for recycling. Please ask your Hilti customer service department or Hilti representative for further information.

en



Only for EU countries

Do not dispose of electric tools together with household waste material!

In observance of European Directive on waste electrical and electronic equipment and its implementation in accordance with national law, electric tools that have reached the end of their life must be collected separately and returned to an environmentally compatible recycling facility.

11. Manufacturer's warranty – tools

Hilti warrants that the tool supplied is free of defects in material and workmanship. This warranty is valid so long as the tool is operated and handled correctly, cleaned and serviced properly and in accordance with the Hilti Operating Instructions, and the technical system is maintained. This means that only original Hilti consumables, components and spare parts may be used in the tool.

This warranty provides the free-of-charge repair or replacement of defective parts only over the entire lifespan of the tool. Parts requiring repair or replacement as a result of normal wear and tear are not covered by this warranty.

Additional claims are excluded, unless stringent national rules prohibit such exclusion. In particular,

Hilti is not obligated for direct, indirect, incidental or consequential damages, losses or expenses in connection with, or by reason of, the use of, or inability to use the tool for any purpose. Implied warranties of merchantability or fitness for a particular purpose are specifically excluded.

For repair or replacement, send tool or related parts immediately upon discovery of the defect to the address of the local Hilti marketing organization provided.

This constitutes Hilti's entire obligation with regard to warranty and supersedes all prior or contemporaneous comments and oral or written agreements concerning warranties.

12. EC declaration of conformity (original)

en

Designation:	Breaker
Type:	TE 706
Year of design:	2004

We declare, on our sole responsibility, that this product complies with the following directives and standards: 2000/14/EC, EN 60745-1, EN 60745-2-6, 2006/42/EC, 2004/108/EC, EN ISO 12100, 2011/65/EU.

Measured sound power level	
LWA:	100 dB/1pW
Guaranteed sound power level	
LWAd:	102 dB/1pW
Conformity assessment procedure:	2000/14/EC Annex VI
European Notified Body:	TÜV NORD CERT, Am TÜV 1, 30519 Hannover, Germany

**Hilti Corporation, Feldkircherstrasse 100,
FL-9494 Schaan**

Paolo Luccini Head of BA Quality and Process Management BA Electric Tools & Accessories 01/2012	Jan Doongaji Executive Vice President BU Power Tools & Demolition 01/2012
-----------------------------------------------------------------------------------------------------------------	-------------------------------------------------------------------------------------------

Technical documentation filed at:
Hilti Entwicklungsgesellschaft mbH
Zulassung Elektrowerkzeuge
Hiltistrasse 6
86916 Kaufering
Deutschland

Designation:	Breaker
Type:	TE 706-AVR
Year of design:	2004

We declare, on our sole responsibility, that this product complies with the following directives and standards: 2000/14/EC, EN 60745-1, EN 60745-2-6, 2006/42/EC, 2004/108/EC, EN ISO 12100, 2011/65/EU.

Measured sound power level	
LWA:	97 dB/1pW
Guaranteed sound power level	
LWAd:	101 dB/1pW
Conformity assessment procedure:	2000/14/EC Annex VI
European Notified Body:	TÜV NORD CERT, Am TÜV 1, 30519 Hannover, Germany

**Hilti Corporation, Feldkircherstrasse 100,
FL-9494 Schaan**

Paolo Luccini Head of BA Quality and Process Management BA Electric Tools & Accessories 01/2012	Jan Doongaji Executive Vice President BU Power Tools & Demolition 01/2012
-----------------------------------------------------------------------------------------------------------------	-------------------------------------------------------------------------------------------

Technical documentation filed at:
Hilti Entwicklungsgesellschaft mbH
Zulassung Elektrowerkzeuge
Hiltistrasse 6
86916 Kaufering
Deutschland



Hilti Corporation

LI-9494 Schaan

Tel.: +423 / 234 21 11

Fax: +423 / 234 29 65

www.hilti.com

Hilti = registered trademark of Hilti Corp., Schaan

W 3031 | 0113 | 10-Pos. 8 | 1

Printed in Germany © 2013

Right of technical and programme changes reserved S. E. & O.

282213 / A2



282213