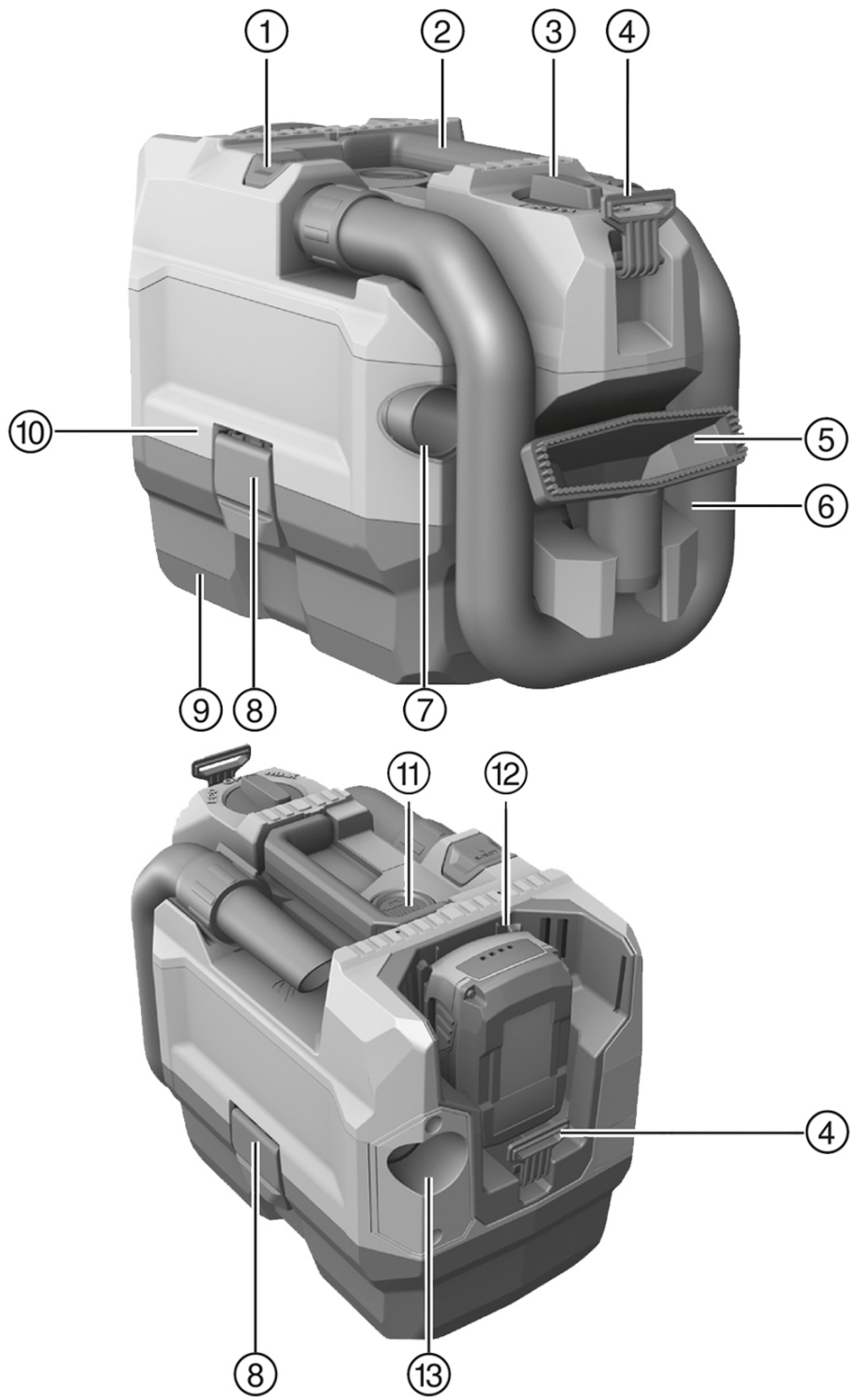


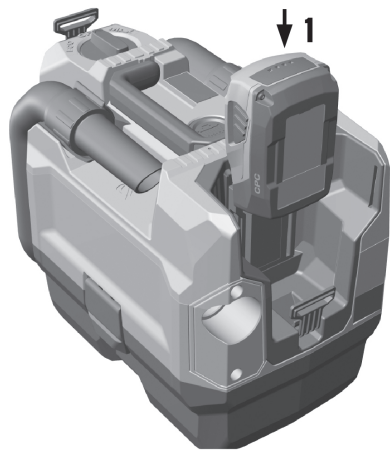


VC 75-1-A22

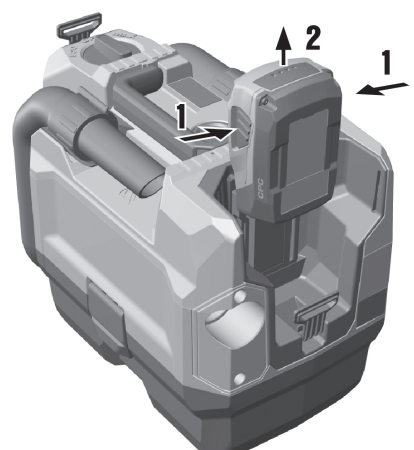
English	1
日本語	11



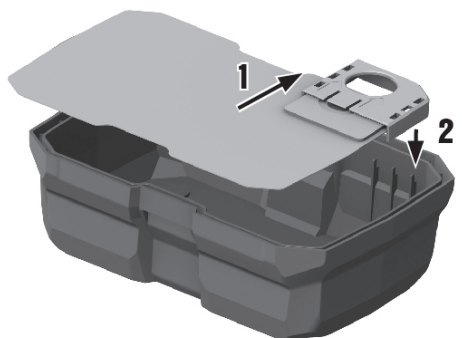
2



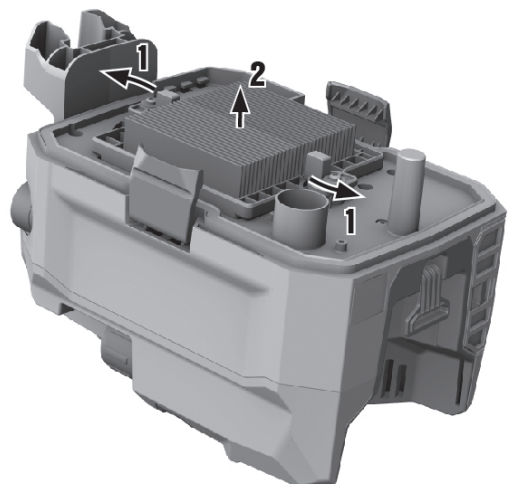
3



4



5



VC 75-1-A22

en	Original operating instructions	1
ja	オリジナル取扱説明書	11

1 Information about the documentation

1.1 About this documentation

- Read this documentation before initial operation or use. This is a prerequisite for safe, trouble-free handling and use of the product.
- Observe the safety instructions and warnings in this documentation and on the product.
- Always keep the operating instructions with the product and make sure that the operating instructions are with the product when it is given to other persons.

1.2 Explanation of symbols

1.2.1 Warnings

Warnings alert persons to hazards that occur when handling or using the product. The following signal words are used:

DANGER

DANGER !

- ▶ Draws attention to imminent danger that will lead to serious personal injury or fatality.

WARNING

WARNING !

- ▶ Draws attention to a potential threat of danger that can lead to serious injury or fatality.





CAUTION

CAUTION !

- ▶ Draws attention to a potentially dangerous situation that could lead to slight personal injury or damage to the equipment or other property.




1.2.2 Symbols in the documentation

The following symbols are used in this document:

	Read the operating instructions before use
	Instructions for use and other useful information
	Dealing with recyclable materials
	Do not dispose of electric equipment as household waste

1.2.3 Symbols in the illustrations

The following symbols are used in illustrations:

	These numbers refer to the corresponding illustrations found at the beginning of these operating instructions
3	The numbering reflects the sequence of operations shown in the illustrations and may deviate from the steps described in the text
	Item reference numbers are used in the overview illustrations and refer to the numbers used in the product overview section
	This symbol is intended to draw special attention to certain points when handling the product.





1.3 Product information

Hilti products are designed for professional users and only trained, authorized personnel are permitted to operate, service and maintain the products. This personnel must be informed of any particular hazards that may be encountered. The product and its ancillary equipment can present hazards if used incorrectly by untrained personnel or if used not in accordance with the intended use.

The type designation and serial number are stated on the rating plate.

- ▶ Write down the serial number in the table below. You will be required to state the product details when contacting Hilti Service or your local Hilti organization to inquire about the product.

Product information → page 2

Product information

Dry vacuum cleaner	VC 75-1 A22
Generation	01
Serial no.	

1.4 Declaration of conformity

We declare, on our sole responsibility, that the product described here complies with the applicable directives and standards. A copy of the document issued by the certification body can be found at the end of this documentation.

The technical documentation is filed here:

Hilti Entwicklungsgesellschaft mbH | Tool Certification | Hiltistrasse 6 | 86916 Kaufering, Germany

2 Safety

2.1 General safety instructions for electric devices

⚠ WARNING! Read all safety precautions and other instructions. Failure to observe the safety instructions and other instructions can result in electric shock, fire and/or serious injury.

Keep all safety precautions and instructions for future reference.

- ▶ This product is not intended for use by persons (including children) with physical, sensory or mental disabilities or persons lacking the appropriate experience and/or knowledge.
- ▶ Only persons who are familiar with it, who have been trained on how to use it safely and who understand the resulting hazards are permitted to use the device. The device is not intended for use by children.
- ▶ Do not allow children to play with the device. Do not allow unsupervised children to clean the device or to carry out user-maintenance tasks.
- ▶ Do not use the device to vacuum up flammable and/or explosive dusts (magnesium or aluminum dust etc.) or dusts that constitute a health hazard. Do not use the device to vacuum up materials with a temperature of over 60 °C (e.g. glowing cigarettes, hot ash).
- ▶ Do not use water, oil, grease or cleaning products.
- ▶ Do not use gasoline or other flammable liquids for cleaning.



2.2 Battery use and care

- ▶ Observe the special regulations and instructions applicable to the transport, storage and use of Li-ion batteries.
- ▶ Do not expose batteries to high temperatures, direct sunlight or fire.
- ▶ Do not disassemble, crush or incinerate batteries and do not subject them to temperatures over 80 °C.
- ▶ Do not use or charge batteries that have suffered mechanical impact, have been dropped from a height or show signs of damage. In this case, always contact your **Hilti Service**.
- ▶ If the battery is too hot to touch it may be defective. In this case, place the product in a non-flammable location, well away from flammable materials, where it can be kept under observation and allowed to cool down. In this case, always contact your **Hilti Service**.

2.3 Additional safety instructions for vacuum cleaners

Work area safety

- ▶ Keep bystanders, children and visitors away while operating the power tool. Distractions may cause you to lose control of the tool.

Electrical safety

- ▶ Avoid body contact with earthed / grounded surfaces such as pipes, radiators, cookers, stoves and refrigerators. There is an increased risk of electric shock if your body is grounded.
- ▶ Do not expose the vacuum cleaner to rain or wet conditions. Water entering a vacuum cleaner will increase the risk of electric shock.

Personal safety

- ▶ Stay alert, watch what you are doing and use common sense when operating a power tool. Do not use a power tool while you are tired or under the influence of drugs, alcohol or medication. A moment of inattention while operating the power tool may result in serious personal injury.
- ▶ Wear your personal protective equipment and always wear protective glasses. Depending on the type of power tool you are using and its purpose, wearing safety equipment such as a dust mask, slip-resistant safety shoes, a hard hat or hearing protection will reduce the risk of injury.
- ▶ Do not use the vacuum cleaner in extremely dusty conditions.
- ▶ Do not point the hose toward persons.
- ▶ Misuse can result in liquid escaping from the battery. Avoid contact with the liquid. Liquid escaping from the battery can cause skin irritation or burns. If contact occurs, rinse off with water. In the event of the liquid coming into contact with the eyes, rinse the eyes with plenty of water and consult a doctor.

Using and handling the power tool

- ▶ Store power tools out of reach of children when not in use. Do not allow persons who are not familiar with the tool or these instructions to operate it. Power tools are dangerous in the hands of inexperienced persons.
- ▶ Take good care of the power tool. Check that moving parts operate satisfactorily and do not jam, and make sure that no parts are broken or damaged in such a way that the power tool might no longer function correctly. Have damaged parts repaired before using the tool. Many accidents are caused by poorly maintained power tools.



- ▶ Use power tools, accessories, insert tools, etc. in accordance with these instructions. Take the working conditions and the work to be performed into account. Use of power tools for applications other than those intended can result in hazardous situations.
- ▶ Use the right appliance for the job. Do not use the appliance for purposes for which it was not intended. Use it only as directed and when in faultless condition.
- ▶ Do not use the vacuum cleaner as a dust extractor in combination with other electric appliances.
- ▶ Operate the vacuum cleaner only with the filter installed.
- ▶ Avoid unintentional starting. Switch the device off before inserting the battery and before lifting or transporting the device. Never carry the device with your finger on the on/off switch. Always remove the battery when the device is not in use, before maintenance, before changing accessory tools and in preparation for and throughout transport.
- ▶ Do not sit or stand on the device.
- ▶ Do not use the vacuum cleaner to spray flammable liquids.

Service

- ▶ Have the power tool repaired only by a qualified specialist using only genuine Hilti spare parts. The safety of the power tool can thus be maintained.

3 Description

3.1 Intended use

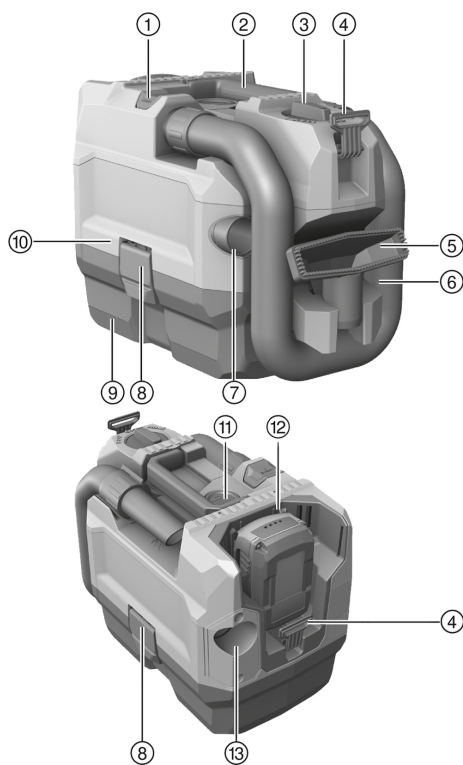
The product described here is a vacuum cleaner suitable for commercial use, e.g. in hotels, schools, hospitals, factories, shops, offices and by rental companies. It is suitable for dry applications only.

Hilti products are designed for professional users and only trained, authorized personnel are permitted to operate, service and maintain the products. The product and its ancillary equipment can present hazards if used incorrectly by untrained personnel or if used not in accordance with the intended use.

- ▶ Use only **Hilti** Li-ion batteries of the B 22 series with this product.
- ▶ Use only **Hilti** battery chargers of the C4/36 series for charging these batteries.



3.2 Product overview 1



- ① **EJECT** button for hose
- ② Grip
- ③ Control switch
- ④ Holder for shoulder strap
- ⑤ Hand nozzle
- ⑥ Hose
- ⑦ Slit nozzle
- ⑧ Catch
- ⑨ Waste material container
- ⑩ Suction head
- ⑪ **CLEAN** button for filter cleaning
- ⑫ Battery compartment
- ⑬ Outlet fitting for blow function

3.3 Control switch

Status	Meaning
ECO	Energy-saving mode
MAX	Switching on
OFF	Switching off

3.4 Items supplied

Dry vacuum cleaner complete with filter element, suction hose with connectors, hand nozzle, crevice nozzle, shoulder strap and operating instructions.

Other system products approved for use with this product can be found at your local **Hilti Store** or online at: **www.hilti.group** | USA: **www.hilti.com**

3.5 Li-ion battery state of charge display

The state of charge of the Li-ion battery and malfunctions of the appliance are indicated by the display on the Li-ion battery. The state of charge of the Li-ion battery is displayed after pressing one of the two battery release buttons.

Status	Meaning
4 LEDs light.	State of charge: 75 % to 100 %
3 LEDs light.	State of charge: 50 % to 75 %
2 LEDs light.	State of charge: 25 % to 50 %
1 LED lights.	State of charge: 10 % to 25 %
1 LED blinks, the appliance is ready for use.	State of charge: < 10 %
1 LED blinks, the appliance is not ready for use.	The battery has overheated.



Status	Meaning
4 LEDs blink, the appliance is not ready for use.	The appliance has overheated or is overloaded.

i Battery state of charge cannot be displayed while the control switch is pressed and for up to 5 seconds after releasing the control switch.
If the battery charge state LEDs blink, please refer to the information given in the Troubleshooting section.

3.6 Indication of overloading and overheating

The power tool is equipped with an electronic system to protect against overloading and overheating. The power tool switches itself off automatically in the event of overloading or overheating. After releasing the control switch, the power tool may not restart immediately when the switch is pressed again (while the power tool is cooling down).

4 Technical data

	VC 75-1-A22
Rated voltage (DC)	21.6 V
Rated current input	16 A
Weight in accordance with EPTA-Procedure 01 (measured with B22/5.2)	5.2 kg
Ambient temperature	-17 °C ... 60 °C
Storage temperature	-20 °C ... 70 °C
Maximum partial vacuum	11 kPa
Maximum volumetric flow rate (air)	35 l/s

5 Operation

5.1 Preparations at the workplace

Observe the safety instructions and warnings in this documentation and on the product.
WARNING The appliance may be operated only by authorized, trained personnel.

5.1.1 Inserting the battery

CAUTION

Electrical hazard. Dirty contacts can cause a short circuit.

- ▶ Before inserting the battery, make sure that the contacts on the battery and the contacts on the device are free of foreign matter.

CAUTION

Risk of injury. The battery can drop out if it is not fitted correctly.

- ▶ Check that the battery is securely seated in the device so that it cannot drop out and possibly injure you or other persons.
- ▶ Insert the battery and check that the battery is securely seated in the appliance.

5.1.2 Removing the battery

1. Press both release buttons.
2. Lift the battery up and out of the appliance.



5.1.3 Changing the filter bag 4

1. Switch the appliance off.
2. Open the two catches.
3. Lift the suction head off the waste material container.
4. Remove the filter bag and remove the holder for the filter bag.
5. Push the holder for the filter bag on to a new filter bag.
6. Secure the holder with the filter bag to the ribs of the waste material container.
7. Set the suction head on the waste material container and close the two catches.

5.1.4 Connecting/disconnecting the suction hose

1. Connect the suction hose to the suction hose intake socket.
 - ↳ The suction hose should be heard to engage.
2. To disconnect the suction hose, press and hold down the **EJECT** button.
3. Disconnect the suction hose from the suction hose intake socket.

5.2 Types of work


WARNING

Risk of injury !

- ▶ Use of this product to pick up hazardous dusts is not permissible.
- ▶ Use this product only for dry applications.


5.2.1 Switching the device on / off

1. To switch on the device, turn the control switch to this position: **MAX**.


 To operate the device for a longer period at reduced suction power, set the control switch to this position: **ECO**.

2. To switch off the device, set the control switch to this position: **OFF**.

5.2.2 Blower function

 Before using the blower function, check that there is nothing inside the hose. Do not point the hose toward persons.

1. To disconnect the suction hose, press and hold down the **EJECT** button.
2. Disconnect the suction hose from the suction hose intake socket.
3. Connect the hose to the outlet socket.
 - ↳ The vacuum cleaner is ready for use

 In order to use the suction function, reconnect the hose to the intake socket.

5.2.3 Cleaning the filter

1. Switch the appliance on.
2. Hold your hand over the end of the hose.
3. Wait until maximum vacuum pressure is reached.
4. Press the **CLEAN** button 4-5 times.
5. Switch the appliance off.

5.2.4 After vacuuming

1. Turn the control switch to this position: **OFF**.
2. Empty the container and clean the appliance by wiping it with a damp cloth.



3. Snap the hose into the hose holder.
4. Stow the nozzles away.
5. Store the vacuum cleaner in a secure, dry place where it is inaccessible to unauthorized users.
 - ↳ CAUTION This vacuum cleaner may be stored only indoors.

6 Care and maintenance

WARNING

Risk of injury with battery inserted !

- ▶ Always remove the battery before carrying out care and maintenance tasks!
-

Care and maintenance of the tool

- Carefully remove stubborn dirt.
- Clean the air vents carefully with a dry brush.
- Use only a slightly damp cloth to clean the casing. Do not use cleaning agents containing silicone as these can attack the plastic parts.

Care of the Li-ion batteries

- Keep the battery free from oil and grease.
- Use only a slightly damp cloth to clean the casing. Do not use cleaning agents containing silicone as these may attack the plastic parts.
- Avoid ingress of moisture.

Maintenance

- Check all visible parts and controls for signs of damage at regular intervals and make sure that they all function correctly.
- Do not operate the product if signs of damage are found or if parts malfunction. Have it repaired immediately by **Hilti Service**.
- After cleaning and maintenance, fit all guards or protective devices and check that they function correctly.



To help ensure safe and reliable operation, use only genuine Hilti spare parts and consumables. Spare parts, consumables and accessories approved by Hilti for use with the product can be found at your local **Hilti Store** or online at: **www.hilti.group**.

6.1 Changing the filter

1. Switch the device off.
2. Open the two catches.
3. Lift the suction head off the waste material container.
4. To remove the filter frame, turn the filter latch through 180 °.
5. Remove the filter along with the filter frame.
6. Remove all dust from the seal and from the filter frame holder.
7. Set the filter frame on a new filter.
8. Fit the filter frame into the holder for the filter frame.
9. Lock the filter frame into position with the filter latches.
10. Set the suction head on the waste material container and close the two catches.



7 Transport and storage of cordless tools

Transport

⚠ CAUTION

Accidental starting during transport !

- ▶ Always transport your products with the batteries removed!

- ▶ Remove the battery.
- ▶ Never transport batteries in bulk form (loose, unprotected).
- ▶ Check the tool and batteries for damage before use after long periods of transport.

Storage

⚠ CAUTION

Accidental damage caused by defective or leaking batteries !

- ▶ Always store your products with the batteries removed!

- ▶ Store the tool and batteries in a place that is as cool and dry as possible.
- ▶ Never store batteries in direct sunlight, on heating units or behind a window pane.
- ▶ Store the tool and batteries in a place where they cannot be accessed by children or unauthorized persons.
- ▶ Check the tool and batteries for damage before use after long periods of storage.

8 Troubleshooting

If the trouble you are experiencing is not listed in this table or you are unable to remedy the problem by yourself, please contact **Hilti** Service.

8.1 Troubleshooting

Trouble or fault	Possible cause	Action to be taken
The battery does not engage with an audible double click.	The retaining lugs on the battery are dirty.	▶ Clean the retaining lugs and push the battery in until it engages.
1 LED flashes. The device does not work.	The battery is discharged.	▶ Change the battery and charge the empty battery.
	The battery is too hot or too cold.	▶ Allow the battery to cool down or warm up slowly to room temperature.
4 LEDs blink.	The motor has overheated.	▶ Switch the appliance off. ▶ Wait 10 minutes. ▶ Remove the blockage or clean the filter, intake connector, hose or exhaust air filter. ▶ Switch the appliance on.
Reduced suction performance.	The waste material container is full.	▶ Empty the waste material container.
	The suction hose or nozzle is blocked.	▶ Clean the suction hose and nozzle.
	The filter is clogged.	▶ Clean the filter. → page 7 ▶ Change the filter. → page 8



Trouble or fault	Possible cause	Action to be taken
Reduced suction performance.	The filter is clogged.	▶ Check that the filter is seated correctly.
	The suction hose or nozzle is damaged.	▶ Replace the suction hose or nozzle.
	The suction hose is not engaged.	▶ Connect/disconnect the suction hose. → page 7
Slight electric shocks are felt.	Electrostatic discharge.	<ul style="list-style-type: none"> ▶ Increase the air humidity. ▶ Operate the vacuum cleaner in ECO mode.

9 Disposal

Most of the materials from which **Hilti** tools and appliances are manufactured can be recycled. The materials must be correctly separated before they can be recycled. In many countries, your old tools, machines or appliances can be returned to **Hilti** for recycling. Ask **Hilti** Service or your Hilti representative for further information.

Battery disposal

Improper disposal of batteries can result in health hazards from leaking gases or fluids.

- ▶ DO NOT send batteries through the mail!
- ▶ Cover the terminals with a non-conductive material (such as electrical tape) to prevent short circuiting.
- ▶ Dispose of your battery out of the reach of children.
- ▶ Dispose of the battery at your **Hilti Store**, or consult your local governmental garbage disposal or public health and safety resources for disposal instructions.



- ▶ Do not dispose of power tools, electronic equipment or batteries as household waste!

10 Manufacturer's warranty

- ▶ Please contact your local **Hilti** representative if you have questions about the warranty conditions.



1 文書について

1.1 本書について

- ご使用前に本書をすべてお読みください。このことは、安全な作業と問題のない取扱いのための前提条件となります。
- 本書および製品に記載されている安全上の注意と警告表示に注意してください。
- 取扱説明書は常に製品とともに保管し、他の人が使用する場合には、製品と取扱説明書を一緒にお渡しください。

1.2 記号の説明

1.2.1 警告表示

警告表示は製品の取扱いにおける危険について警告するものです。以下の注意喚起語が使用されています：

危険

危険！

- ▶ この表記は、重傷あるいは死亡事故につながる危険性がある場合に注意を促すために使われます。

警告

警告！

- ▶ この表記は、重傷あるいは死亡事故につながる可能性がある場合に注意を促すために使われます。

注意

注意！

- ▶ この表記は、軽傷あるいは物財の損傷が発生する可能性がある場合に使われます。

1.2.2 本書の記号

本書では、以下の記号が使用されています：

	使用前に取扱説明書をお読みください
	本製品を効率良く取り扱うための注意事項や役に立つ情報
	リサイクル可能な部品の取扱い
	電動工具を一般ゴミとして廃棄してはなりません

1.2.3 図中の記号

図中では以下の記号が使用されています：

	この数字は本取扱説明書冒頭にある該当図を示しています
3	付番は図中の作業手順の順序に対応していて、本文の作業手順とは一致しない場合があります
	概要図には項目番号が付されていて、製品概要セクションの凡例の番号に対応しています
	この記号は、製品の取扱いの際に特に注意が必要なことを示しています。





1.3 製品情報

Hilti の製品はプロ仕様で製作されており、その使用、保守、修理を行うのは、認定を受けトレーニングされた人のみに限ります。これらの人は、遭遇し得る危険に関する情報を入手していなければなりません。本製品およびアクセサリーの使用法を知らない者による誤使用、あるいは規定外の使用は危険です。

機種名および製造番号は銘板に表示されています。

- ▶ 製造番号を以下の表に書き写しておいてください。ヒルティ代理店やサービスセンターへお問い合わせの際には、製品データが必要になります。

製品データ → 頁 12

製品データ

乾式バキュームクリーナー	VC 75-1 A22
製品世代	01
製造番号	

1.4 適合宣言

当社は、単独の責任において本書で説明している製品が有効な基準と標準規格に適合していることを宣言します。認証機関に関する複写は本書の末尾にあります。

技術資料は本書の後続の頁に記載されています：

Hilti Entwicklungsgesellschaft mbH | Zulassung Geräte | Hiltistraße 6 | 86916 Kaufering, DE

2 安全

2.1 電動工具の一般安全注意事項

⚠ 警告事項！ 安全上の注意および指示事項をすべてお読みください。これらを守らないと、感電、火災および / または重傷事故の危険があります。

安全上の注意および指示事項が書かれた説明書はすべて大切に保管してください。

- ▶ 肉体的、感覚的、精神的な制約があったり、または経験や知識が不足している人（子供を含む）は、本製品をご使用いただけません。
- ▶ 本製品を使用することができるのは、本製品の使用に慣れていて、安全な使用のための知識を有し、発生し得る危険について理解している者のみです。本製品は子供が使用するよう設計されていません。
- ▶ 子供が本体で遊ばないようにしてください。清掃およびユーザーが行うべき手入れや保守作業は、子供が監督者なしで行うことはできません。
- ▶ 健康を損なう危険のある、可燃性 / 爆発性の粉じんを吸引することは許可されません（マグネシウムとアルミニウムの粉じんなど）。60 °C を超過する高温の物質を吸引してはなりません（燻っている煙草の吸殻、高温の灰など）。
- ▶ 水、オイル、グリス、洗浄剤は使用しないでください。
- ▶ 清掃作業にガソリンまたはその他の可燃性の液体を使用しないでください。

2.2 バッテリーの慎重な取扱いおよび使用

- ▶ Li-Ion バッテリーの搬送、保管、作動については特別規定を守ってください。
- ▶ バッテリーは高温、直射日光および火気を避けて保管してください。



- ▶ バッテリーを分解したり、挟んだり、80 °C 以上に加熱したり、燃やしたりしないでください。
- ▶ 衝撃を受けたことのあるバッテリー、1 m を超える高さから落下したことのあるバッテリー、あるいはその他の損傷を被っているバッテリーを使用あるいは充電しないでください。この場合には、必ず最寄りのHilti サービスセンターにご連絡ください。
- ▶ バッテリーが掴むことのできないほどに熱くなっている場合は、故障している可能性があります。製品を監視可能な火気のない場所に可燃性の資材から十分に距離をとって置き、冷ましてください。この場合には、必ず最寄りのHilti サービスセンターにご連絡ください。

2.3 集じん機に関するその他の安全上の注意

作業環境に関する安全

- ▶ 電動工具の使用時、子供や無関係者を作業場へ近づけないでください。作業中に気がそらされると、本体のコントロールを失ってしまう恐れがあります。

電気に関する安全注意事項

- ▶ パイプ、ラジエーター、電子レンジ、冷蔵庫などのアースされた面に体の一部が触れないようにしてください。体が触れると感電の危険が大きくなります。
- ▶ 集じん機を雨や湿気から保護してください。集じん機に水が浸入すると、感電の危険が大きくなります。

作業員に関する安全

- ▶ 電動工具を使用の際は、油断せずに十分注意し、常識をもった作業をおこなってください。疲れている場合、薬物、医薬品服用およびアルコール飲用による影響下にある場合には電動工具を使用しないでください。電動工具使用中の一瞬の不注意が重傷の原因となることがあります。
- ▶ 個人用保護具および保護メガネを常に着用してください。負傷の危険を低減するために、電動工具の使用状況に応じた粉じんマスク、耐滑性の安全靴、ヘルメット、耳栓などの個人用保護具を着用してください。
- ▶ 集じん機を著しく粉じんに汚れている環境で使用しないでください。
- ▶ 集じん機を人に向けしないでください。
- ▶ 正しく使用しないと、バッテリーからの液漏れが発生することがあります。その場合、漏れた液には触れないでください。漏れ出たバッテリー液は、皮膚を刺激したりあるいは火傷の原因となることがあります。バッテリー液に触れてしまった場合は、水で洗い流してください。バッテリー液が眼に入った場合は、多量の水で洗い流してから医師の診察を受けてください。

電動工具の使用および取扱い

- ▶ 電動工具をご使用にならない場合には、子供の手の届かない場所に保管してください。本体に関する知識のない方、本説明書をお読みでない方による本体のご使用は避けてください。未経験者による電動工具の使用は危険です。
- ▶ 電動工具は慎重に手入れしてください。可動部分が引っ掛かりなく正常に作動しているか、電動工具の運転に影響を及ぼす各部分が破損・損傷していないかを確認してください。電動工具を再度ご使用になる前に、損傷部分の修理を依頼してください。発生事故の多くは保守管理の不十分な電動工具の使用が原因となっています。
- ▶ 電動工具、アクセサリ、先端工具などは、それらの説明書に記載されている指示に従って使用してください。その際は、作業環境および用途についてもご注意ください。指定された用途以外に電動工具を使用すると危険な状況をまねく恐れがあります。
- ▶ 用途に合った工具をご使用してください。本体を本来の目的以外には使用しないでください。必ず、指示にしたがい、不具合のない状態で使用してください。
- ▶ 集じん機を他の電動工具と組み合わせて吸じん装置として使用しないでください。
- ▶ 集じん機は必ずフィルターを装着して使用してください。



- ▶ 不意に始動しないようにしてください。バッテリーの装着、取外し、あるいは搬送の前に、本体をオフにしてください。スイッチに指を掛けた状態で本体を持ち運ばないでください。本体を使用しない時（仕事の休憩中、手入れや保守を行う時、先端工具の交換時、搬送中）は、バッテリーを本体から取り外してください。
- ▶ 本体の上に座ったり乗ったりしないでください。
- ▶ 集じん機を引火性の高い液体のスプレーとして使用しないでください。

サービス

- ▶ 電動工具の修理は必ず認定サービスセンターにお申し付けください。また、必ず純正部品を使用してください。これにより電動工具の安全性が確実に維持されます。

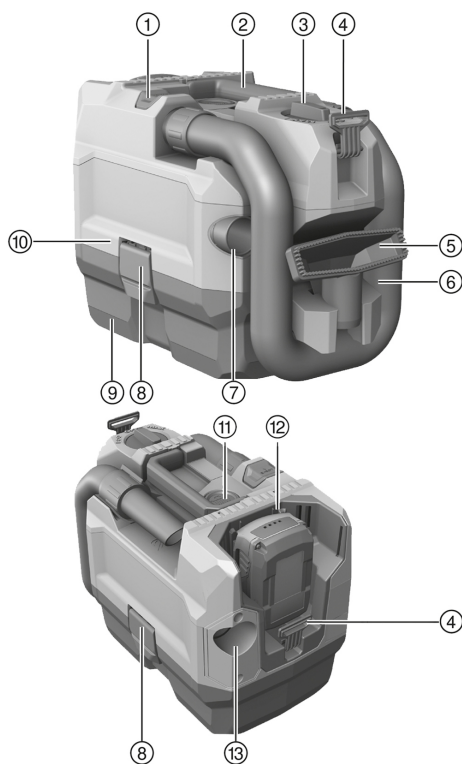
3 製品の説明

3.1 正しい使用

本書で説明されている製品は、ホテル、学校、病院、工場、商店、事務所、およびテナントショップなどで使用する業務用の集じん機です。本製品は乾式清掃にのみ使用できます。**Hilti** の製品はプロ仕様で製作されており、その使用、保守、修理を行うのは、認定を受けトレーニングされた人のみに限ります。本製品およびアクセサリーの使用法を知らない者による誤使用、あるいは規定外の使用は危険です。

- ▶ 本製品には、必ず**Hilti** の B 22 シリーズの Li-Ion バッテリーを使用してください。
- ▶ これらのバッテリーには、必ず**Hilti** の C4/36 シリーズの充電器を使用してください。

3.2 製品概要



- ① ホース用**EJECT** ボタン
- ② グリップ
- ③ 本体スイッチ
- ④ ショルダーベルト用ブラケット
- ⑤ ハンドノズル
- ⑥ ホース
- ⑦ ジョイントノズル
- ⑧ ロッククリップ
- ⑨ ダストコンテナ
- ⑩ サクションヘッド
- ⑪ フィルタークリーニング用**CLEAN** ボタン
- ⑫ 電池収納部
- ⑬ ブLOWER機能用排出ソケット

3.3 本体スイッチ

状態	意味
ECO	節電設定
MAX	スイッチオン
OFF	スイッチオフ



3.4 本体標準セット構成

乾式バキュームクリーナー（フィルターエレメントを含む）、サクシオンホース一式、ハンドノズル、ジョイントノズル、ショルダーベルト、取扱説明書。

その他の本製品用に許可されたシステム製品については、弊社営業担当またはHilti Storeにお問い合わせいただくか、あるいはwww.hilti.group | USA: www.hilti.com でご確認ください。

3.5 Li-Ion バッテリーのインジケータ

Li-Ion バッテリーの充電状態および本体の不具合は、Li-Ion バッテリーのインジケータにより表示されます。Li-Ion バッテリーの充電状態は、2つのバッテリーリリースボタンのいずれかを押し则表示されます。

状態	意味
4 個の LED が点灯。	充電状態 : 75 %...100 %
3 個の LED が点灯。	充電状態 : 50 %...75 %
2 個の LED が点灯。	充電状態 : 25 %...50 %
1 個の LED が点灯。	充電状態 : 10 %...25 %
1 個の LED が点滅、本体は作動可能状態。	充電状態 : < 10 %
1 個の LED が点滅、本体は作動不能状態。	バッテリーの過熱。
4 個の LED が点滅、本体は作動不能状態。	本体の過負荷あるいは過熱。

i 本体スイッチの操作中、およびこのスイッチから指を放してから 5 秒が経過するまでの間は、充電状態を確認することはできません。

バッテリーの充電状態インジケータの LED が点滅している場合は、「故障時のヒント」の章の注意事項を確認してください。

3.6 過負荷および過熱インジケータ

本体には電子過負荷保護機構および過熱保護機構が装備されています。過負荷あるいは過熱の際、本体は自動的にオフになります。コントロールスイッチを放して押し直すと、オンになるまでに時間がかかる場合があります（本体の冷却段階）。

4 製品仕様

	VC 75-1-A22
定格電圧 (DC)	21.6 V
定格電流	16 A
EPTA-Procedure 01 に準拠した重量 (B225.2 を装着した状態で測定)	5.2 kg
周囲温度	-17 °C ... 60 °C
保管温度	-20 °C ... 70 °C
最大真空度	11 kPa
最大体積流量 (空気)	35 l/s

5 ご使用方法

5.1 作業準備

本書および製品に記載されている安全上の注意と警告表示に注意してください。



2200442

日本語

15

警告事項本製品は、必ずその権限がありその使用方法についての説明を受けている人が操作するものとします。

5.1.1 バッテリーを装着する 2

注意

電氣的な危険。電気接点が汚れていると短絡が発生することがあります。

- ▶ バッテリーを装着する前に、バッテリーの電気接点と本体の電気接点に異物が入っていないか確認してください。

注意

負傷の危険。バッテリーが正しく装着されていないと落下することがあります。

- ▶ バッテリーが確実に本体に固定され、落下して作業者およびその他の人が危険にさらされないか、確認してください。
- ▶ バッテリーを装着し、本体にバッテリーがしっかりと固定されていることを確認してください。

5.1.2 バッテリーを取り外す 3

1. 両方のリリースボタンを押します。
2. バッテリーを本体から上方へ引き抜きます。

5.1.3 フィルターバッグを交換する 4

1. 本体をスイッチオフにします。
2. 2個のロッククリップを開きます。
3. ダストコンテナからサクションヘッドを持ち上げて外します。
4. フィルターバッグを取り出して、フィルターバッグ用ホルダーを取り外します。
5. フィルターバッグ用ホルダーを新しいフィルターバッグに取り付けます。
6. ホルダーとフィルターバッグをダストコンテナリブに固定します。
7. サクションヘッドをダストコンテナに取り付け、2個のロッククリップを閉じます。

5.1.4 サクションホースを取り付ける / 取り外す

1. サクションホースをサクションホースソケットに接続します。
 - ↳ サクションホースのロックする音が聞こえます。
2. サクションホースを取り外すには、**EJECT** ボタンを押します。
3. サクションホースをサクションホースソケットから取り外します。

5.2 作業

警告

負傷の危険！

- ▶ 本製品を危険粉じんの吸引に使用してはなりません。
- ▶ 本製品は乾式清掃にのみ使用してください。

5.2.1 本体をオにする / オフにする

1. 本体をオンにするには、本体スイッチを**MAX**の位置へ回します。

低い吸引能力で長時間作動させるには、本体スイッチを**ECO**の位置に切り替えます。

2. 本体をオフにするには、本体スイッチを**OFF**の位置にします。



5.2.2 ブロワー機能

i ブロワー機能を利用する前に、ホースが空であることを確認してください。
集じん機を人に向けないでください。

1. サクションホースを取り外すには、**EJECT** ボタンを押します。
2. サクションホースをサクションホースソケットから取り外します。
3. ホースを排出ソケットに接続します。
↳ 集じん機はブロワー機能を利用できる状態になります。

i 吸引機能を利用するには、ホースを再びホースソケットに接続してください。

5.2.3 フィルターを清掃する

1. 本体をオンにします。
2. ホース終端を手でふさぎます。
3. 最大負圧になるまでお待ちください。
4. **CLEAN** ボタンを 4...5 回押します。
5. 本体をスイッチオフにします。

5.2.4 吸引後

1. 本体スイッチを**OFF** の位置へ回します。
2. コンテナを空にし、本体を湿らせた布で拭って清掃します。
3. ホースをホースホルダーに固定します。
4. ノズルを収納します。
5. 権限のない人による不正使用を防止して、集じん機を乾燥した場所にしまえます。
↳ 注意この集じん機は必ず屋内で保管してください。

6 手入れと保守

警告

バッテリーを装着した状態における負傷の危険！

▶ 手入れや保守作業の前に必ずバッテリーを取り外してください！

本体の手入れ

- 強固に付着した汚れは慎重に除去してください。
- 通気溝を乾いたブラシで入念に清掃してください。
- ハウジングは必ず軽く湿らせた布で清掃してください。シリコンを含んだ清掃用具はプラスチック部品をいためる可能性があるので使用しないでください。

Li-Ion バッテリーの手入れ

- バッテリーは清潔に保ち、オイルやグリスで汚さないようにしてください。
- ハウジングは必ず軽く湿らせた布で清掃してください。シリコンを含んだ清掃用具はプラスチック部品をいためる可能性があるので使用しないでください。
- 湿気が入り込まないようにしてください。

保守

- 目視確認可能なすべての部品について損傷の有無を、操作エレメントについては問題なく機能することを定期的に点検してください。
- 損傷および / または機能に問題のある場合は、本製品を使用しないでください。直ちにHilti サービスセンターに修理を依頼してください。
- 手入れおよび保守作業の後には、すべての安全機構を取り付けて機能を点検してください。



2200442

日本語

17



安全な作動のために、必ず純正のスペアパーツと消耗品を使用してください。本製品向けに弊社が承認したスペアパーツ、消耗品およびアクセサリは、弊社営業担当またはHilti Storeにお問い合わせいただくか、あるいはwww.hilti.groupでご確認ください。

6.1 フィルターを交換する

1. 本体をスイッチオフにします。
2. 2個のロッククリップを開きます。
3. ダストコンテナからサクションヘッドを持ち上げて外します。
4. フィルターフレームを取り外すには、フィルター固定具を 180° 回します。
5. フィルターとフィルターフレームを取り外します。
6. シールとフィルターフレームホルダーの粉じんを除去します。
7. フィルターフレームを新しいフィルターに取り付けます。
8. フィルターフレームをフィルターフレームホルダーに取り付けます。
9. フィルターフレームをフィルター固定具でロックします。
10. サクションヘッドをダストコンテナに取り付け、2個のロッククリップを閉じます。

7 バッテリー装置の搬送および保管

搬送

注意

搬送時の予期しない始動！

- ▶ お使いの製品は、必ずバッテリーを装着していない状態で搬送してください！
- ▶ バッテリーを取り外します。
- ▶ バッテリーは決して梱包しない状態で搬送しないでください。
- ▶ 本体とバッテリーを長距離にわたって搬送した後は、使用の前に損傷がないかチェックしてください。

保管上の注意事項

注意

故障したあるいは液漏れしたバッテリーによる予期しない損傷！

- ▶ お使いの製品は、必ずバッテリーを装着していない状態で保管してください！
- ▶ 本体とバッテリーは、できるだけ涼しくて乾燥した場所に保管してください。
- ▶ バッテリーを太陽の直射下、ラジエーターの上、窓際等で保管しないでください。
- ▶ 本体とバッテリーは、子供や権限のない人が手を触れることのないようにして保管してください。
- ▶ 本体とバッテリーを長期間にわたって保管した後は、使用の前に損傷がないかチェックしてください。

8 故障時のヒント

この表に記載されていない、あるいはご自身で解消することのできない故障が発生した場合には、弊社営業担当またはHilti サービスセンターにご連絡ください。



8.1 故障かな？ と思った時

故障	考えられる原因	解決策
バッテリーが「カチッカチッ」と音がするまでロックされない。	バッテリーのロックノッチが汚れている。	▶ ロックノッチを清掃してバッテリーをロックする。
1 個の LED が点滅。 本体が作動しない。	バッテリーが放電している。	▶ バッテリーを交換し、空のバッテリーを充電する。
	バッテリーの温度が低すぎる、または高すぎる。	▶ バッテリーをゆっくり室温まで暖める / 冷ます。
4 個の LED が点滅。	モーターの過熱。	▶ 本体をオフにする。 ▶ 10 分間待機する。 ▶ フィルター、ホースソケット、ホースおよびアウトレットフィルターの詰まりを解消する。 ▶ 本体をオンにする。
吸引能力が低い。	ダストコンテナが満杯。	▶ ダストコンテナを空にする。
	サクシヨンホースまたはノズルが目詰まりしている。	▶ サクシヨンホースとノズルを清掃する。
	フィルターが目詰まりしている	▶ フィルターを清掃します。→ 頁 17
		▶ フィルターを交換します。→ 頁 18
		▶ フィルターが正しく取り付けられているか点検する。
	サクシヨンホースまたはノズルが損傷している。	▶ サクシヨンホースまたはノズルを交換する。
サクシヨンホースがロックされていない。	▶ サクシヨンホースを取り付け / 取り外します。→ 頁 16	
軽度の感電。	静電気の帯電。	▶ 湿度を高くする。 ▶ ECO モードで吸引している。

9 廃棄

Hilti 製品の大部分の部品はリサイクル可能です。リサイクル前にそれぞれの部品は分別して回収されなければなりません。多くの国で **Hilti** は、古い電動工具をリサイクルのために回収しています。詳細については弊社営業担当または **Hilti** 代理店・販売店にお尋ねください。

バッテリーを廃棄する

バッテリーを誤った方法で廃棄すると、漏出するガスあるいはバッテリー液により健康を損なう危険があります。

- ▶ 損傷したバッテリーを送付しないでください！
- ▶ 短絡を防止するために接続部を非導電性のもので覆ってください。
- ▶ バッテリーは子供が手を触れることのないように廃棄してください。



- ▶ バッテリーの廃棄は、最寄りのHilti Store あるいは適切な廃棄物処理業者に依頼してください。



- ▶ 電動工具、電子機器およびバッテリーを一般ゴミとして廃棄してはなりません！

10 メーカー保証

- ▶ 保証条件に関するご質問は、最寄りのHilti 代理店・販売店までお問い合わせください。



This Product is Certified
Ce produit est homologué
Producto homologado por
Este producto está registrado





Hilti Corporation

LI-9494 Schaan

Tel.:+423 234 21 11

Fax:+423 234 29 65

www.hilti.group



2200442