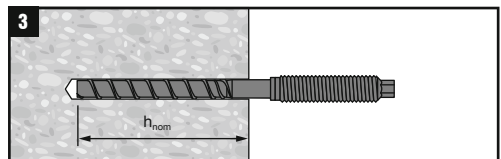
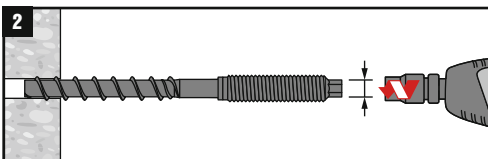
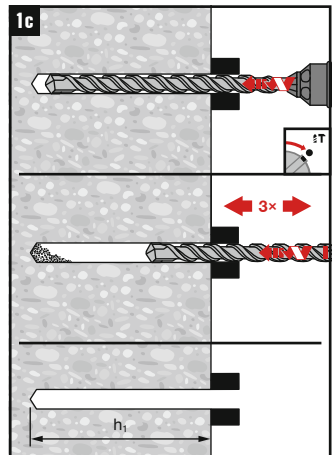
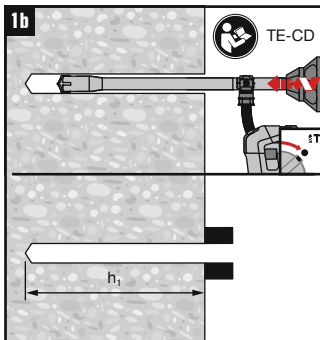
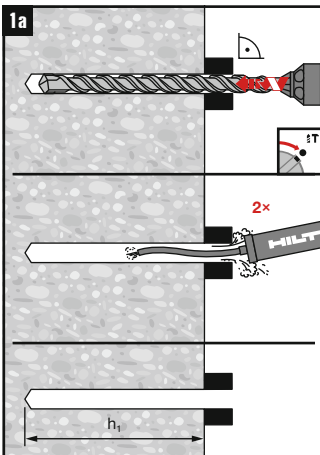
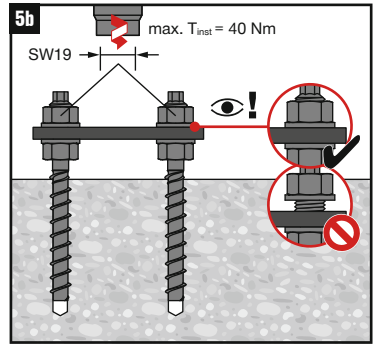
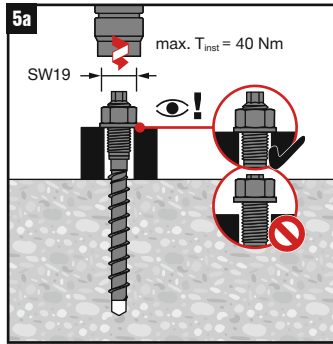
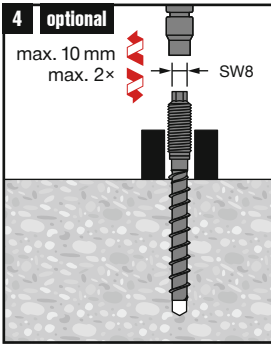


	$d_o$ [mm]	$h_{nom}$ [mm]	
	$\varnothing 10$	$\geq 55 \text{ mm}$ $\leq 85 \text{ mm}$	$h_{nom} \geq 75 \text{ mm}$
	$\varnothing 10$	$\geq 55 \text{ mm}$ $\leq 85 \text{ mm}$	

	$h_1 = h_{nom} + 10 \text{ mm}$	<b>1a</b> <b>1b</b>
	$h_1 = h_{nom} + 30 \text{ mm}$	<b>1c</b>





	1	2	1	2
SIW 6AT-A22 / SIW 4AT-22	✓			✗
SIW 6-22	✓	✗		✓
SIW 22T-A		✓		✓
SIW 9-A22		✓		✓
SIW 8-22		✓		✓
SIW 10-22	✗		✓	✗

