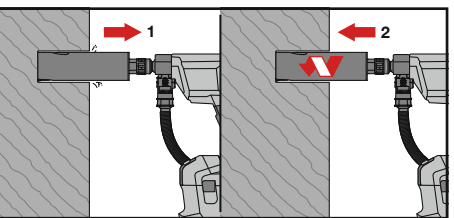
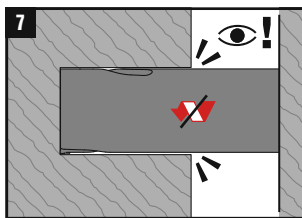
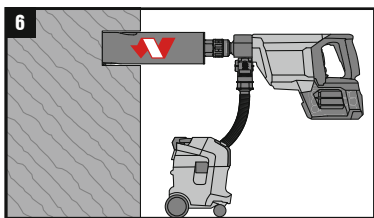
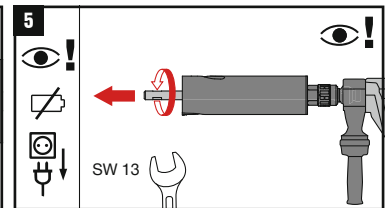
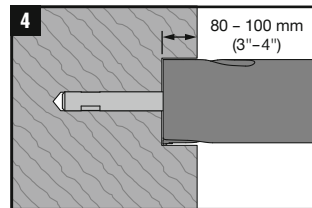
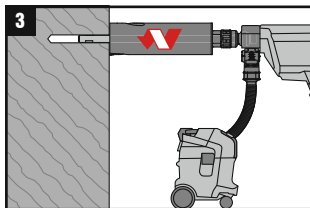
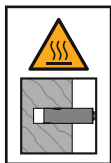
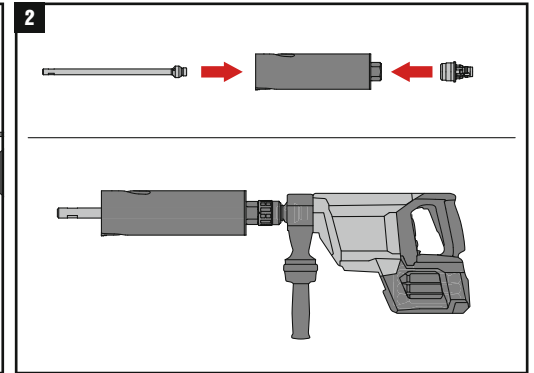
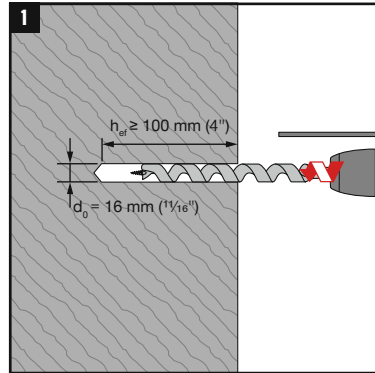
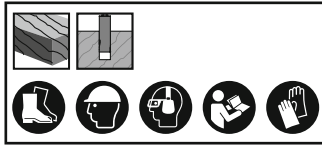


A		SPX-L Wood
		DD-SA 370
		BI-BR
		DD 150-U-22 DD 150-U
		SF 6 SF 10 SID 8
		WDB-SDA 7/16" auger bit 16 mm (1 1/16")
		VC 20/40

d ₀		RPM
[mm]	inch	
52	2"	700 ... 1400
62	2 1/2"	
68	2 3/4"	
77	3"	400 ... 700
82	3 1/2"	
102	4"	
112	4 1/2"	280 ... 400
122	5"	
132	5 1/2"	
152	6"	280 ... 400
162	6 1/2"	
182	7"	
202	8"	
	9"	





B		SPX-L Wood
	BI (M41)	
	DD 150-U-22 DD 150-U DD 160-22 DD 160	
	SF 4 SF 10 SID 6	
	F ≥ 11 kN	
	VC 20/40	
	DD-BI-DR-CB (DD 160)	
	DD-ST 150-U CTL DD-ST 160 SFL DD-ST 22 110/150/160 SFL, CTL	

d ₀		RPM
[mm]	inch	
52	2"	700 ... 1400
62	2½"	
68	2¾"	
77	3"	
82	3½"	
102	4"	400 ... 700
112	4½"	
122	5"	
132	5½"	
152	6"	
162	6½"	
182	7"	
202	8"	280 ... 400
	9"	

